

pushbuttons

new US96EN

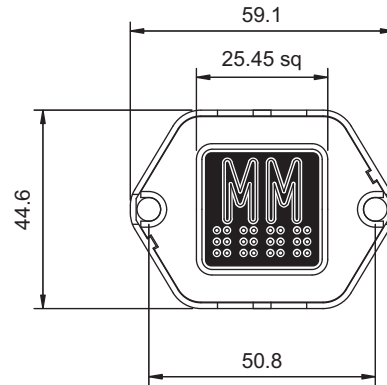
US96EN

The square shaped US96EN Braille pushbutton meets all the requirements of the visually impaired. The wide tactile legend can be easily seen from all angles and can be illuminated in a variety of colours. The Braille dots below the legend are Standard English Braille. The pressel background is black, providing good contrast with legend and faceplate and meets the requirements of EN81-70. The US96EN is available with the standard Compact 2 body, or Compact 2 Micro, a useful option for surface mount fixtures.

key features

- 15mm high tactile legend with Braille
- Legend and halo illumination
- Vandal resistant
- Large range of pressel legends
- High contrast between pressel and legend
- Standard pressels are a black plate moulded with opal polycarbonate

specification



This product is designed to meet the requirements of the following codes and regulations either in its standard form or through variants.

EN81-1/2 ✓

technicals

- Moulded in high grade polycarbonate
- LED current 20mA
- A detailed data sheet for this product can be found on our website

benefits

- Matching range includes keyswitches and rocker switches
- Vandal resistant

options

- Wide range of colours for illumination including red, white, green, yellow and blue
- Single, dual and bi-colour illumination
- Available with either C2 or C2 Micro body