



Dewhurst M-20 RVR Pushbutton

The M-20 RVR Pushbutton is the most vandal resistant of the pushbuttons within our range. The stainless steel pressel is set within a stainless steel bezel, which it bottoms out on, making it highly resistant to impact attacks. Illumination is provided through a small insert moulded lens in the centre of the button. Although the M-20 RVR is extremely vandal resistant, its clean lines have made it very popular and it has been used in some of the most prestigious installations around the world as well as some of the harshest.

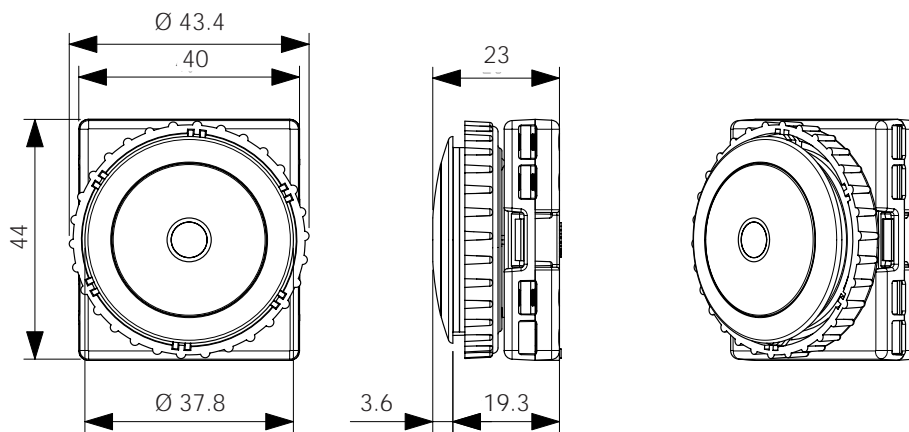
Features & Benefits

- No studding required
- Classic design
- Highly vandal resistant
- Pressel/surround assembly is locked to the faceplate
- Meets EN81-1/2, EN81-72, EN81-73, EN60529 (IP44)

Illumination, Finishes & Marking

- Illumination in red
- Pressel finish in stainless steel

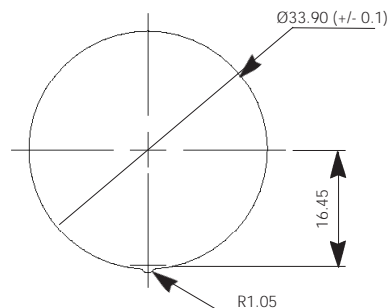
Dimensions



Technical Details

Weight:	96grms
Moulded in:	High grade polycarbonate
Pressel material:	304 stainless
Pushbutton size:	43.4mm w x 44.0mm h x 19.3mm d
Pressel size:	Ø 27.9 x 3.6 d
LED current:	20mA (typically)
LED voltage:	6V, 12V or 24V A.C./D.C. ± 15%
Ratings:	125V a.c. at 3.0 amps max. 30V d.c. at 2.0 amps max.
Mechanical life:	1,000,000 operations max
Electrical lift:	1,000,000 operations min
Contact arrangements:	2 N/O, 1 N/O + 1 N/C, 1 C/O
Code compliance:	Meets EN81-1/2, EN81-72, EN81-73
IP Rating:	BN60529 (IP54)

Cutouts & Stud Positions



Cleaning your M-20 RVR Pushbutton

Many Dewhurst lift products are made of **polycarbonate** (Using GE's **Lexan®** or Bayer's **Makrolon®**).

The M-20 RVR is highly durable and vandal resistant but the plastic parts can be damaged by aggressive cleaning agents, Dewhurst therefore recommends:



Clean the part with a **cotton cloth and warm water** before applying the cleaning product



Use **PH-neutral or slightly acid cleaning products only** (including aromatised ones) Ethylic alcohol, isopropyl alcohol or ethylene glycol based multipurpose cleaning products and dish soaps are suggested.



Dilute the cleaning product in warm water and apply using a wet cotton cloth.



Grease, glue and paint may be removed with ethylic alcohol or isopropyl alcohol.

Recommended Cleaning Products (*):

Europe	North America
Windus - Brial Top - Ecolab Mr. Proper Surfaces Delicates - Proctor & Gamble Palmolive, Colgate Palmolive	Formula 409® Cleaner Degreaser Joy®, Proctor & Gamble Windex, Drackett Products Palmolive, Colgate Palmolive

(*): Due to the vast number of cleaning products available on the market, the list of recommended products above is an illustration only

Note:

- Do not use abrasive cleaning agents
- Do not use sharp tools to remove dirt (chewing gum, glue, etc.)
- Do not use solvents based with Ketones, benzene, methanol, toluene (also known as methylbenzene or phenyl methane) or alkaline and ammonia based cleaning agents
- Do not use cleaning agents at high temperatures
- Do not leave cleaning agents on the parts for long periods: remove immediately after cleaning using a wet cotton cloth and warm water
- Do not use dry cotton cloths and sponges