



Dewhurst M-20 RSB Pushbutton

The M-20 RSB pushbutton with Braille has been designed as a flexible, all purpose lift pushbutton, ideal for apartment buildings, offices, hotels and many other lift applications. The button has a very low profile and requires no studs to fix to the faceplate. It also has a wide range of illumination options, with both the legend and halo able to be illuminated separately.

Features & Benefits

- 15mm tactile legend with Braille
- A halo of light between the pressel and surround via a patented hidden recess encircles the pressel and illuminates the legend
- Legend & halo can be constantly illuminated at half intensity, switching to full intensity for indication of position or call acceptance
- Front fixing, no studs required
- Large range of pressel legends
- Matching range includes keyswitches, rocker switches and indicators
- Vandal resistant with stainless steel front
- Meets EN81-1/2, EN81-70, EN81-72, EN81-73, EN60529 (IP54)

Illumination, Finishes & Marking

- Wide range of colours for illumination including (non), red, yellow, green, blue and white (see table below)
- Range of pressel finishes including brushed stainless steel, mirror stainless steel, brushed brass and mirror brass*
- Range of surround finishes and heights - chrome, brass, black - 2.5 and 6.5mm
- Two-colour illumination
- A large range of legends in Helvetica Medium characters & symbols are available
- 15mm high opal tactile characters/symbols with Braille are formed during the moulding of the pressel body

* Standard pressels are a brushed stainless steel plate moulded with opal polycarbonate

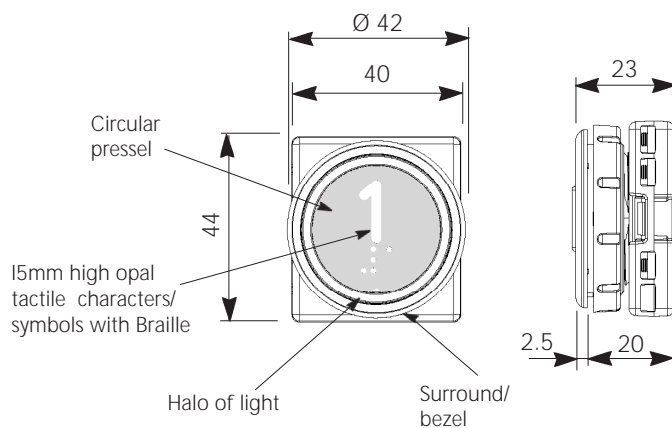


LED COLOUR OPTIONS	HALO					
	Non	Red	Yellow	Blue	White	Green
Non	X	✓	X	X	X	X
Red	X	✓	X	X	X	X
Yellow	X	X	✓	X	X	✓
Blue	X	X	X	✓	X	X
White	X	✓	✓	✓	✓	✓
Green	X	X	X	X	X	✓

X = Not available ✓ = Available

Except for non/red, use same colour/same colour for all other non/colour arrangement

Dimensions



As an aid to contact arrangement identification, the rear body moulding colour is supplied as follows:

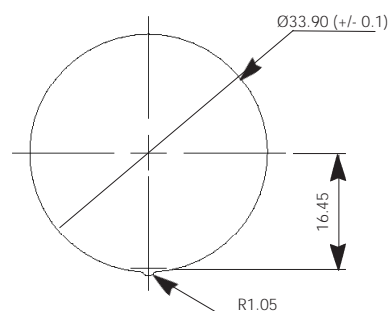
Blue	=	1 C/O
Green	=	2 N/O
Yellow	=	1 N/O + 1 N/C
Clear	=	Indicator/no contacts

M-20 Pushbuttons can be supplied loose or incorporated into stations. The button is designed to be fitted in a faceplate of a thickness between 1.5mm and 3.0mm with a vertical and horizontal pitch of 50mm.

Technical Details

Weight:	37grms
Moulded in:	High grade polycarbonate (flame retardant)
Pressel plate material:	Brushed 304 stainless steel (standard)
Pressel plate area:	707mm ²
Button force:	3.5N
Pushbutton size:	40.0mm w x 44.0mm h x 32.0mm d
Pressel size:	Ø30.0 x 2.5mm deep
Legend size:	15mm high, Helvetica medium characters
LED current:	20mA (typically) per legend & halo
LED voltage:	6V (only available in red and yellow), 12V or 24V
Operation:	Operation of the spring return pressel makes contact with the microswitch
Electrical rating of cherry microswitch:	125V a.c. at 3.0 amps max - 30V d.c. at 2.0 amps max
Mechanical life:	1,000,000 operations min
Electrical life:	1,000,000 operations min
Contact arrangements:	Single microswitch - changeover 1 C/O Twin microswitch - 2 N/O, 1 N/O + 1 N/C
Code compliance:	Meets EN81-1/2, EN81-70, EN81-71(Category 1), EN81-72, EN81-73
IP Rating:	EN60529 (IP54)

Cutouts & Stud Positions



Cleaning your M-20 RSB Pushbutton

Many **Dewhurst** lift products are made of **polycarbonate** (Using GE's **Lexan®** or Bayer's **Makrolon®**).

The M-20 RSB is highly durable and vandal resistant but plastic parts can be damaged by aggressive cleaning agents, Dewhurst therefore recommends:



Clean the part with a **cotton cloth and warm water** before applying the cleaning product



Use **PH-neutral or slightly acid cleaning products only** (including aromatised ones) Ethylic alcohol, isopropyl alcohol or ethylene glycol based multipurpose cleaning products and dish soaps are suggested.



Dilute the cleaning product in warm water and apply using a wet cotton cloth.



Grease, glue and paint may be removed with ethylic alcohol or isopropyl alcohol.

Recommended Cleaning Products (*):

Europe	North America
Windus - Brial Top - Ecolab Mr. Proper Surfaces Delicates - Proctor & Gamble Palmolive, Colgate Palmolive	Formula 409® Cleaner Degreaser Joy®, Proctor & Gamble Windex, Drackett Products Palmolive, Colgate Palmolive

(*): *Due to the vast number of cleaning products available on the market, the list of recommended products above is an illustration only*

Note:

- Do not use abrasive cleaning agents
- Do not use sharp tools to remove dirt (chewing gum, glue, etc.)
- Do not use solvents based with Ketones, benzene, methanol, toluene (also known as methylbenzene or phenyl methane) or alkaline and ammonia based cleaning agents
- Do not use cleaning agents at high temperatures
- Do not leave cleaning agents on the parts for long periods: remove immediately after cleaning using a wet cotton cloth and warm water
- Do not use dry cotton cloths and sponges