

Pushbutton

Type JUMBO - US95-30EN & US96-30EN

Publication Number PB183/1007

Application

The Dewhurst Jumbo button is designed to meet the requirements of EN81-70 which requires the pushbutton legend to have a height of 30mm. It is also ideal for use in airports, shopping centres, train stations etc. where a large easy to use button better meets the requirements of lift users.

Dewhurst illuminated legend pushbuttons ensure a bright wide angle view in all lighting conditions and includes in the range tactile and Braille buttons to aid the visually impaired. Jumbo are ideal for use in all types of lifts and similar installations including those which may be exposed to heavy duty or vandalism.

The EN pressel range is available in three background colours. Black for call, door open and door close buttons, yellow for alarm and green for exit floor button in the lift car.

Operation

Operation of the spring return pressel provides a self-wiping contact action and follow-through. Illumination of the LED illuminator produces a halo of light between the pressel and its bezel via the patented hidden recess that encircles the pressel and illuminates the legend. The legend and halo maybe constantly illuminated at half intensity, switching to full intensity for indication of position or call acceptance. Standard illumination is by 12V or 24V LED illumination.

Installation

The pushbutton is securely held to the back of the faceplate by 4 off M4 x 25LG weldstuds, washers and nuts.

Jumbo pushbuttons can be supplied loose or incorporated into stations with 1.5mm or 2.5mm stainless steel faceplates, with a vertical pitch of 80mm and horizontal pitch of 90mm. If pushbuttons are supplied loose, spacers are provided to accommodate the differing faceplate thickness.

Technical details

Weight	150grms
Moulded in	high grade polycarbonate
Environmental protection	IP54 (frontal presentation)
Pressel plate material	Anodized aluminium (black, green, yellow)
Pressel plate area	US95-30EN = 2500mm ² . US96-30EN = 2850mm ²
LED current	20mA (typically)
LED colours	Red, green, yellow, blue and white
LED voltage	12/24/30/48/110V a.c./d.c. ± 15%

Designed to meet the requirements of BS CECC 96400: Pushbuttons Switches where relevant, EN81-1/2 and EN81-70.

Rating

Wiping action, slow make and break with solid silver contacts.

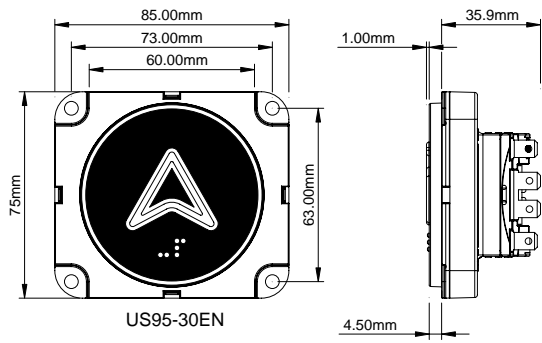
Thermal current	10 amps max.
	240V a.c. at 3.0 amps max. resistive loads - min. no. of operations 1 x 10 ⁶
	240V d.c. at 0.5 amps max. resistive loads - min. no. of operations 2 x 10 ⁶
	110V d.c. at 100mA max. inductive TC40ms - min. no. of operations 1 x 10 ⁶
	12V d.c. at 5 mA max. resistive loads - min. no. of operations 10 x 10 ⁶
Contact arrangements	1 N/O***

*** For other contact arrangements use a relay board (e.g. Alarm, Door Open, Door Closed etc). Please refer to PB140 for the Relay Board.

Marking

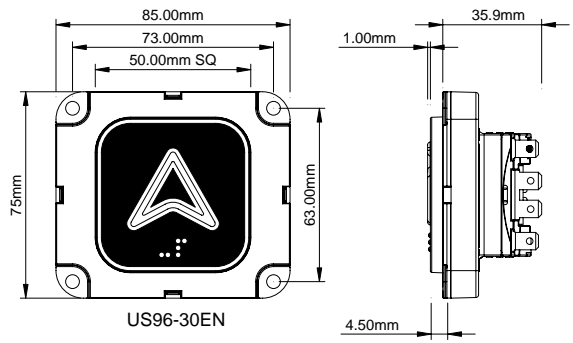
A large range of legends in Helvetica Medium characters and symbols are available, please refer to our website.

Tactile/Braille legends are formed during the moulding of the pressel body and are in opal 30mm high legend characters.



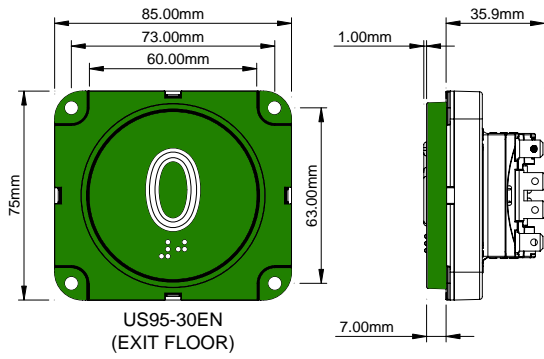
US95-30EN

US95-30EN (JUMBO)



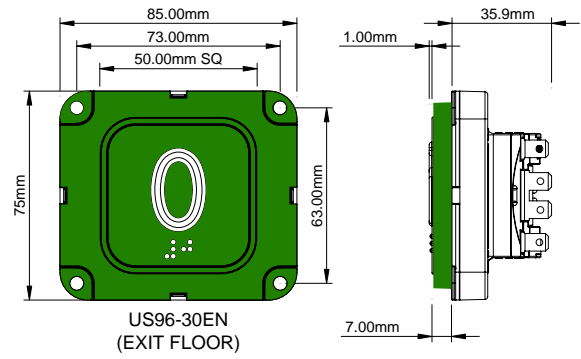
US96-30EN

US96-30EN (JUMBO)



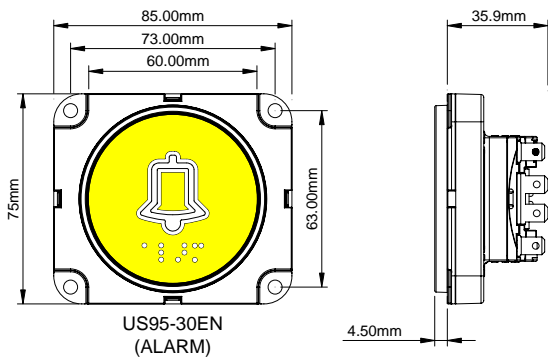
US95-30EN
(EXIT FLOOR)

US95-30EN (EXIT FLOOR)



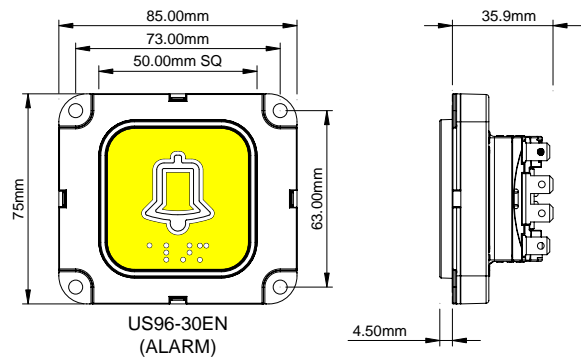
US96-30EN
(EXIT FLOOR)

US96-30EN (EXIT FLOOR)



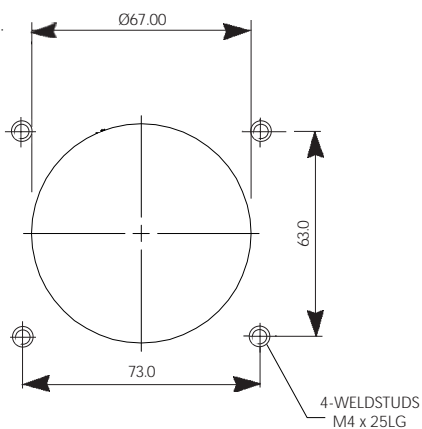
US95-30EN
(ALARM)

US95-30EN (ALARM)

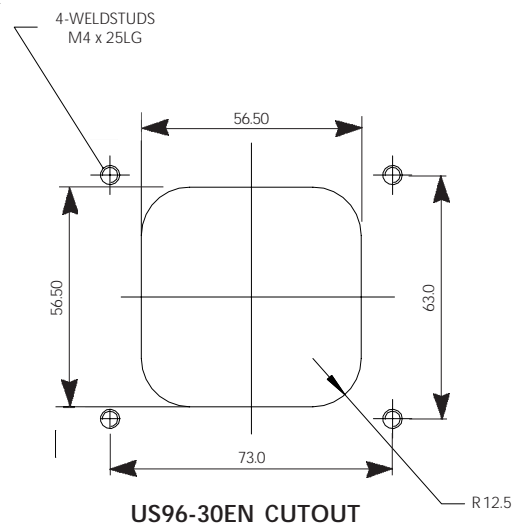


US96-30EN
(ALARM)

US96-30EN (ALARM)



US95-30EN CUTOUT



US96-30EN CUTOUT